

PRD 12/11/2020
EXP 12/11/2022

QTY 6 LOT 300 EXP: 23/03/2020

EXP: 091221
LOT: 3551355

Famjet TL300DK

Hp® High Resolution TIJ printer
No maintenance needed
Low cost & Reability

Android System and Touch 3.5"

The simple Android touch screen control menu is easy to navigate, making message creation nice and easy. It is possible to have variable data with automatic dates counter, logos and barcodes. The printing resolution, up to 750 dpi, provides excellent barcodes and logos readability, including 2D codes



hp® Inkjet Technology



The swing brackets ensure always stop printing quality even in very difficult installations. Compared with Piezo technology disposable 42ml cartridge provides always a brand new printhead in the system. The daily maintenance is very simply and easy to make.



Technical Specifications FamJet TL300DK



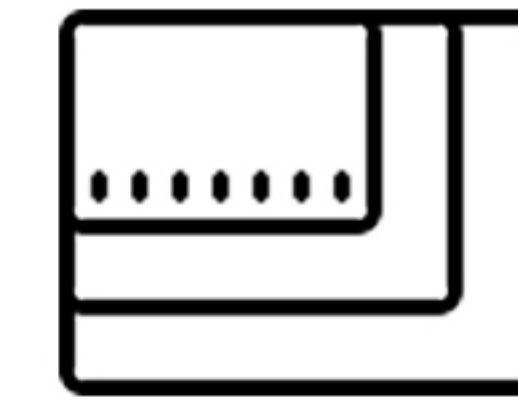
<https://youtu.be/EurGA3xjMEc>



Printing height:
up to 25mm,
with the Dual pen stall



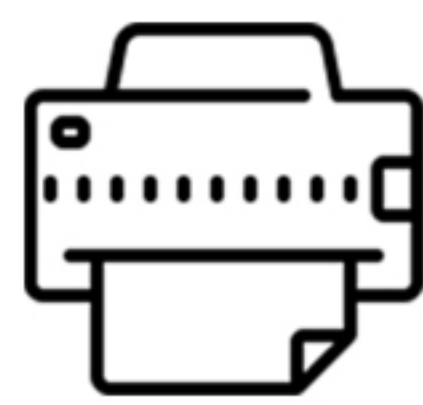
Display:
Touch Screen
3,5"



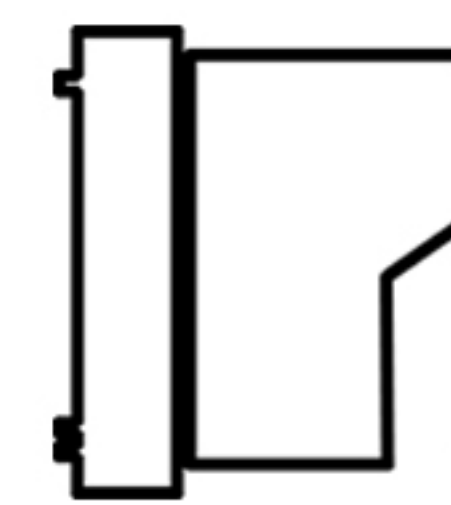
Resolution:
Up to 750 dpi



Printing capabilities:
Alphanumeric characters,
Autodate, logos, QR Code,
Barcodes and Datamatrix



Printing Speed:
140m/min at 150 dpi
62m/min at 300 dpi
30m/min at 600 dpi



Consumables:
Disposable 42ml
cartridges and
bulk system solutions



User Interface:
LAN, USB, I/O port
Encoder, External Sensor,
Ready Command, Low link,
external Lamp

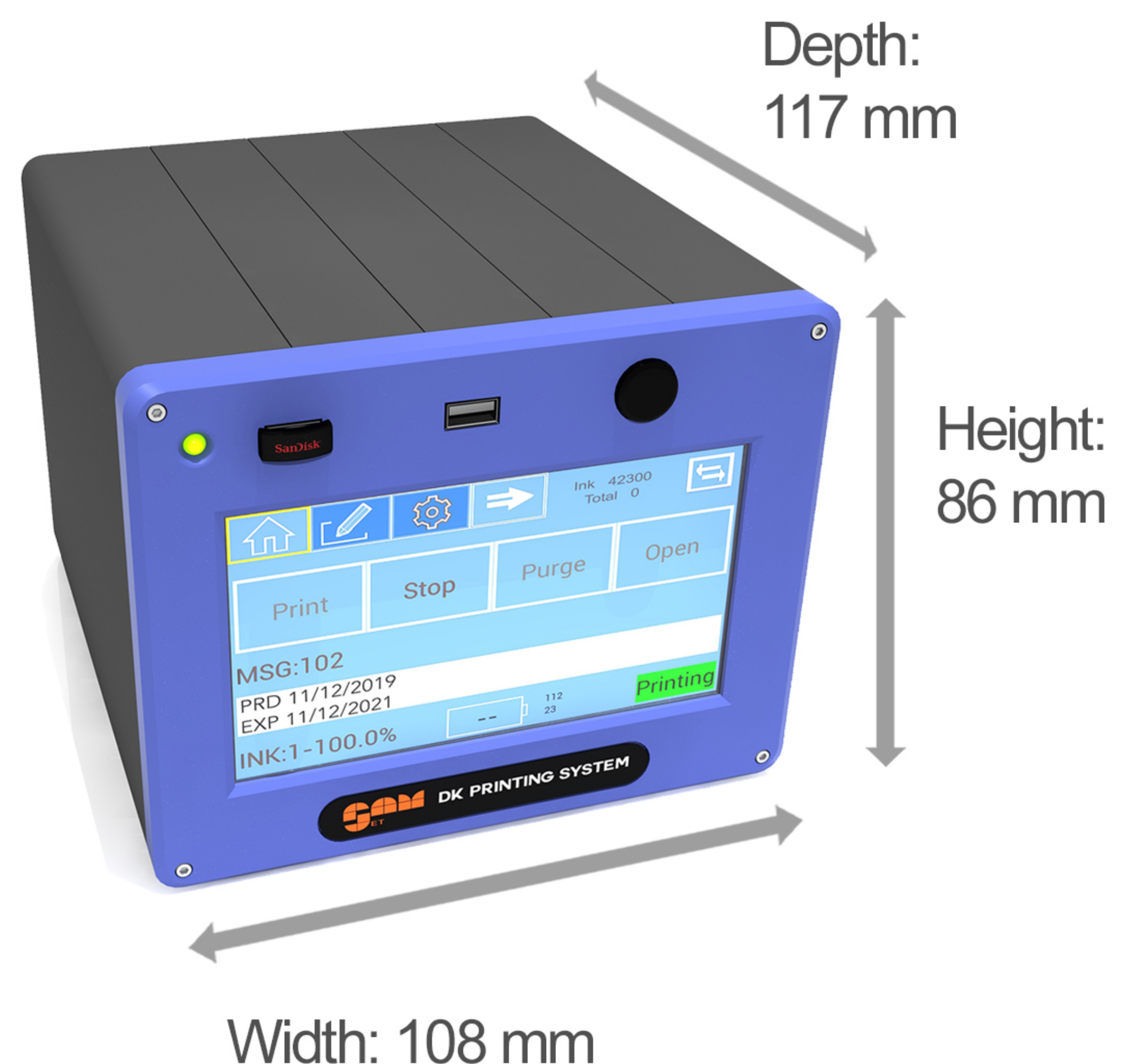
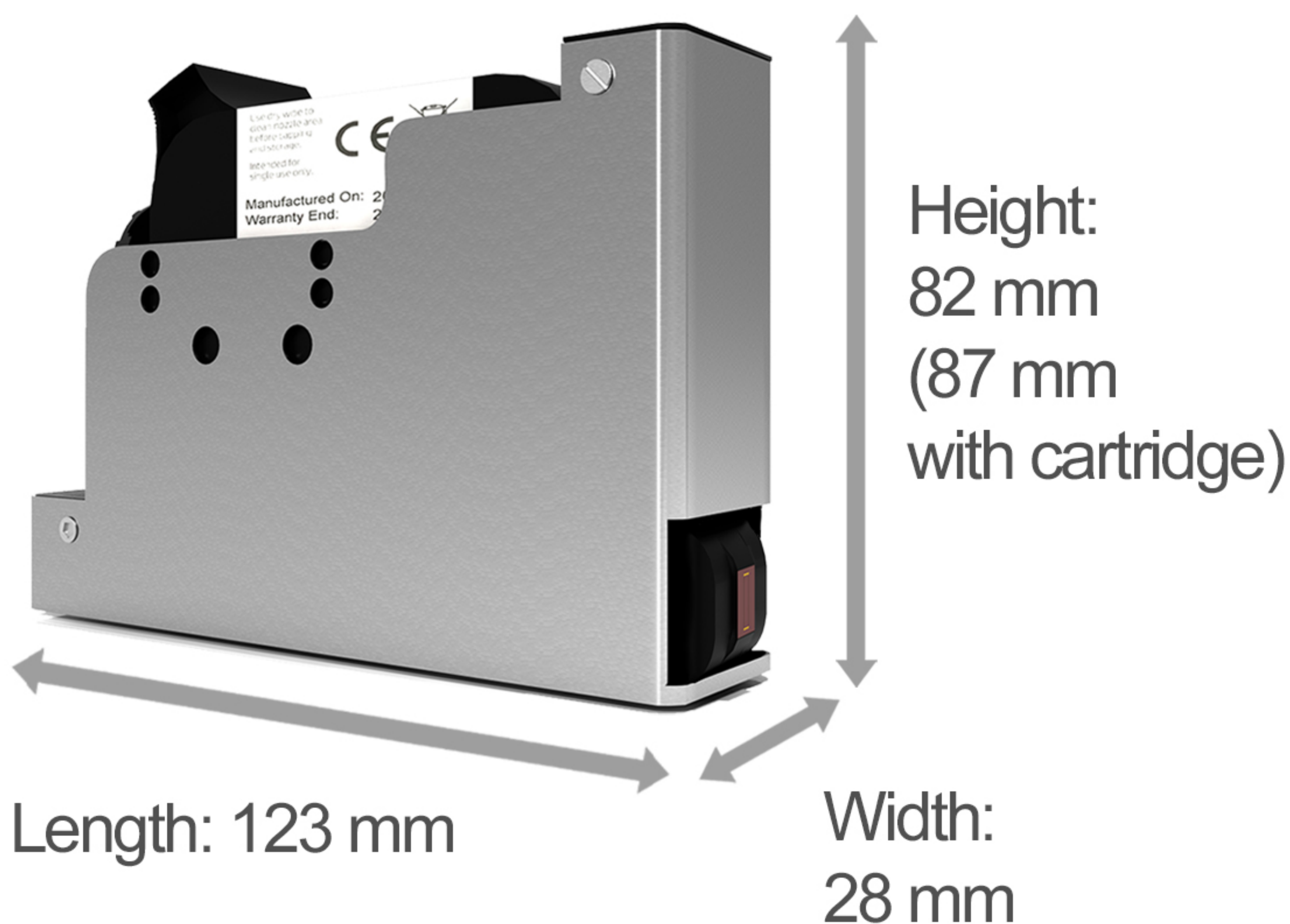


Voltage:
AC:110v-220v
a 50-60Hz 1A



Memory:
8 GB,
16/32 optional

DIMENSIONS



INTERNATIONAL

FAM Favata Advanced Marking s.r.l.
specialists in industrial marking

Via Leoncavallo 55, 20832 Desio (MB)
Phone: +39 0362 302877
Fax: +39 0362300076
info@fam-printing.com
www.fam-printing.com